



ENERSHIELD Air Barriers

Specializing in Energy Management Climate Control Systems

Energy Saving Technology

Manufacturing & Design

16821 – 113 Avenue, Edmonton Alberta T5M 2X2

Phone (780) 482-4662 • Fax (780) 482-4074

Toll Free – 1-866-464-3667

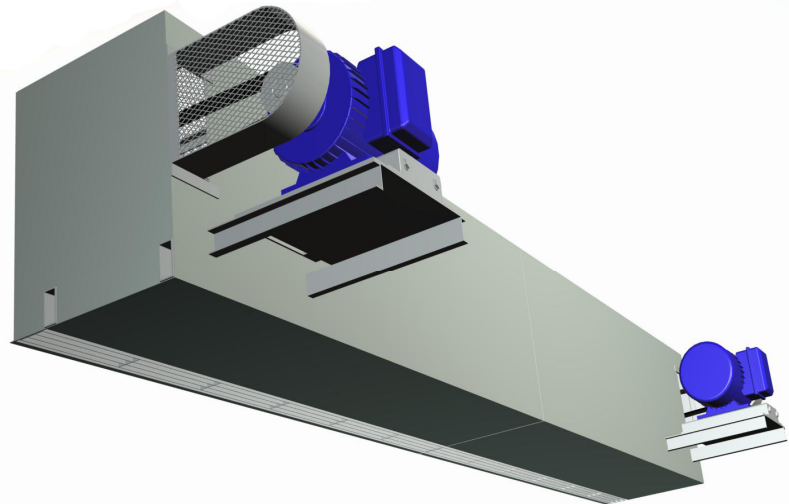
www.enershield.ca

Ultrashield US-216 - Air Barrier Specifications

Enershield Ultrashield model US-216 is 216" / 5486 mm in length. Powder coated 1/8" steel frame construction & 20 gauge G.90 sheet metal jacket, c/w acoustic insulation with acrylic anti-microbial coating. Air Barrier is provided with powder coated telescopic sliders & wall brackets, lockable remote NEMA 1 control panel incorporating soft start and photo electric cell door sensor for automatic activation upon door opening. The Air Barrier is capable of spanning the opening without the need for intermediate support. Operating characteristics: 9 forward curved double inlet blowers providing Air Velocity = 6500 fpm, Air Volume = 35,775 cfm, Electrical: see chart below Motors: 2 @ 10 hp = 20 hp total (14,920 Watts). Weight = 1260 lbs. Decibel rating is 75 dB at a distance of 10' from the unit. CSA Certified.

Warranty: 2 yrs parts.

Model	US-216
Cabinet Length in./mm	216" 5486 mm
Height x Width	22"x 19 1/2" 559mm x 496mm
Weight lbs/Kgs	1260 lbs. 527 kgs.
Horse Power	10 hp 7460 watts
Fans/Blowers	9
Motors TEFC	2
Total Horsepower	20 hp 14,920 watts
Decibels	75 dB
Max FPM at Nozzle	6500 fpm 33 m/s
CFM at Nozzle	35,775 cfm 16,884 l/s
Outlet Velocity Uniformity	95%



Available Motors			
Operating Voltage:	575/3/60	460/3/60	208/3/60
Amp Draw FLA	9.6 Amps	12.5 Amps	26.5 Amps ea.
TEFC Motor 1750 RPM, IP55, VFD Compatible, T-Frame, 89.5% Eff.			

nb: All units can be manufactured for a vertical application. Information available on request
11/7/2011